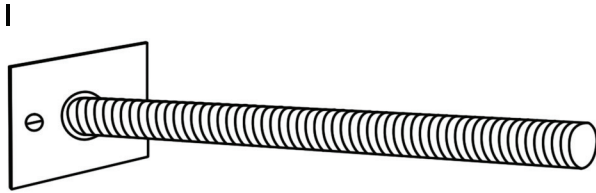
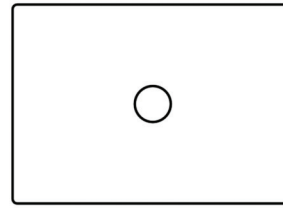
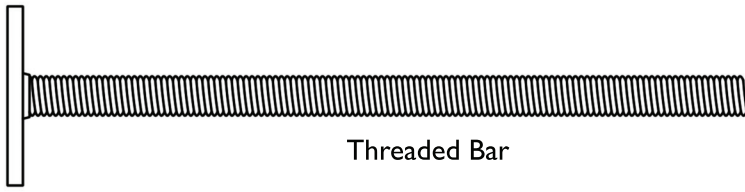


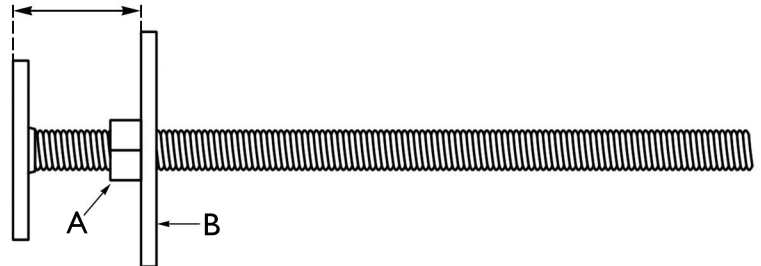
Wall Stay Fitting Instructions

Contents

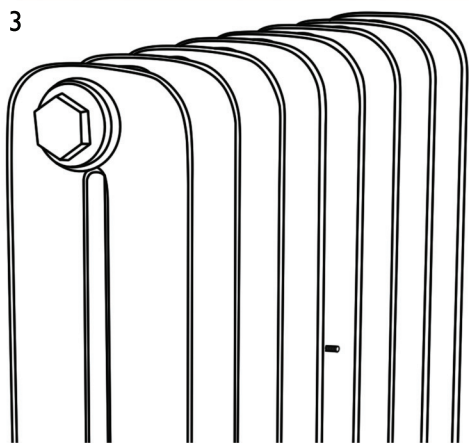


1 Attach the Threaded Bar to the wall in the chosen location, securing in place with 2 screws.

2 Distance to measure



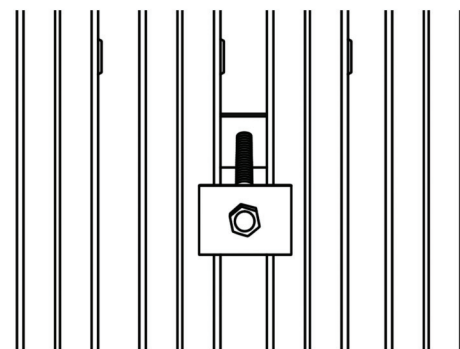
2 Screw 1x Nut (A) onto the Threaded Bar, followed by 1x Clamping Plate (B). Measure the distance from the wall to where the back of the radiator is to sit, as shown above. The Nut should be adjusted as required. The Clamping Plate can be used in either a vertical or horizontal position. Radiators with a smaller space between each section, the Clamping Plate should be positioned Vertically. Radiators with a larger space between each section, the Clamping Plate should be positioned horizontally.



3 The radiator should now be moved into position, making sure that it is sat against the Clamping Plate.

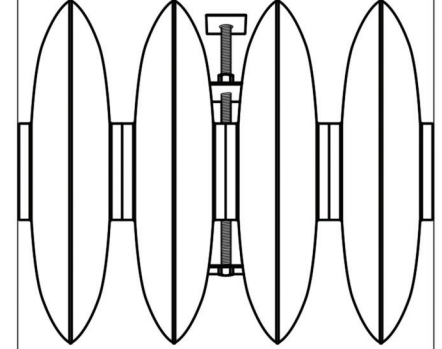
4 THE FRONT CLAMPING PLATE CAN BE ATTACHED IN EITHER WAY:

FRONT OF RADIATOR:

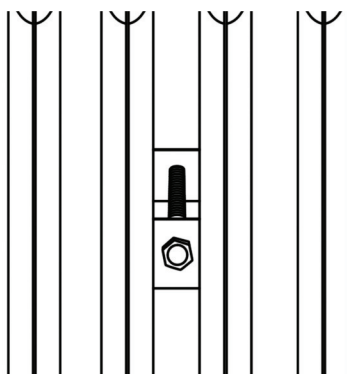


4 Attach the Clamping Plate onto the Threaded Bar (the Clamping Plate will be visible on the front of the radiator), followed by a Nut. Tighten the Nut to the Clamping Plate. The Threaded Bar can now be cut flush with the Nut.

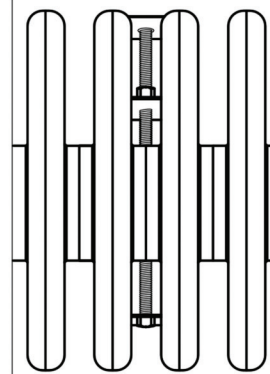
Aerial View



or 5 INSIDE THE RADIATOR COLUMN:



Aerial View



5 Attach the Clamping Plate onto the Threaded Bar (the Clamping Plate is attached inside the column of the radiator), followed by a Nut. Tighten the Nut to the Clamping Plate. The Threaded Bar can now be cut flush with the Nut.



trads

www.tradscastironradiators.co.uk

T: 01400 263 320 | Email: sales@tradscastironradiators.co.uk

The Traditional Radiator Company